

DESMI NSA

- Close coupled self-priming centrifugal pumps

A totally renewed design based on the original "K&R" models. However fully replaceable with former types, in dimensions as well as capacities.

The compact pumps are simple in design, consist of few parts, and will thus reduce your costs.

This of course also means easy maintenance.

On basis of 50 years of experience in the production of self-priming pumps we produce a pump series that meets the future demands for economical and reliable pumps.



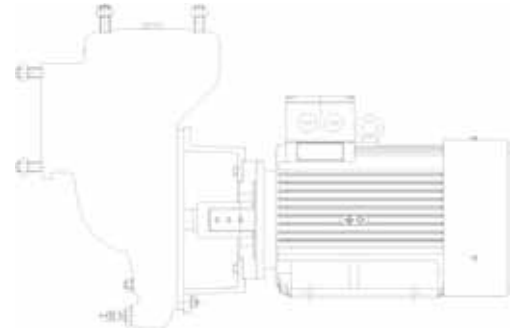
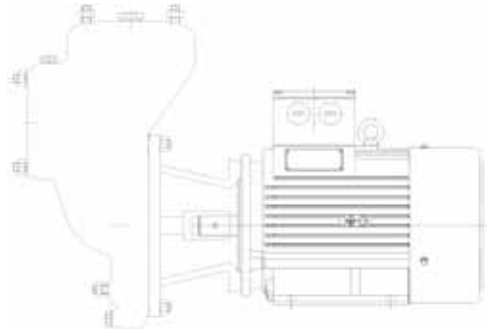
DESMI A/S
Tagholm 1
DK-9400 Nørresundby
Phone: + 45 96 32 81 11
Fax: + 45 98 17 54 99
Internet: www.desmi.com
E-mail: desmi@desmi.com

DESMI

Range

NSA 50-200 in close-coupled design with electric motor 2,2-4 kW at 1400-1700 RPM and 4-11 kW at 2900-3500 RPM.

NSA 80-250 in close-coupled design with electric motor 4 to 9 kW at 1450-1750 RPM, and 11 to 18 kW at 2900-3500 RPM.



Design

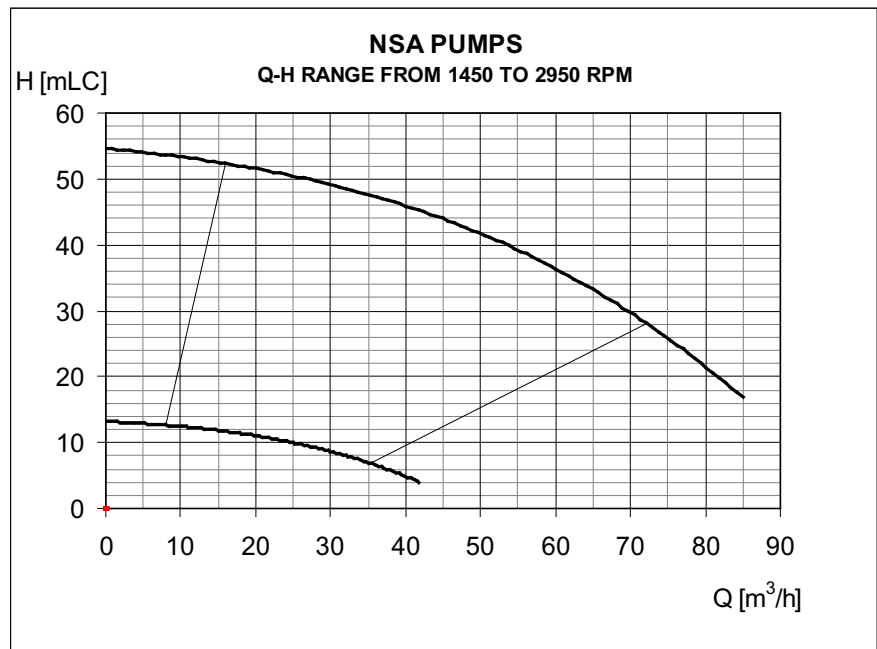
Open impeller, exchangeable wear plate, standard stainless steel shaft and nonleaking mechanical shaft seal.

Applications

- Bilge pump
- Ballast Pump
- General service pump
- Emergency fire pump
- Cooling water pump

Materials:

Cast iron and bronze materials are available.



Technical specifications

Type: NSA 50-200
Pipe connections: 2" suction/discharge
Capacity: 10-50 m³/h
Total head: 10-50 mWC
Suction head: 8 mWC

Technical specifications

Type: NSA 80-250
Pipe connections: 3" suction/discharge
Capacity: 10-85 m³/h
Total head: 18-55 mWC
Suction head: 7 mWC



DESMI