

E2 2" Clamped Metallic Pumps Specifications and Performance

SPECIFICATIONS

E2

FLOW RATE (Adjustable) 0-155 gpm (586 lpm)
PORT SIZE

Inlet and Outlet..... 2.0" NPT (BSP)

AIR INLET..... 0.50" NPT

AIR EXHAUST..... 0.75" NPT

SUCTION LIFT 20' Dry/25' Wet (6.10m/7.62m)

Teflon®..... 10' Dry/20' Wet (3.05m/6.10m)

MAX. PARTICLE SIZE (Dia.) 0.25"(6.35mm)

SHIPPING WEIGHTS

Aluminum 70 lbs (31.75 kg)

Cast Iron, Stainless..... 115 lbs (52.16 kg)

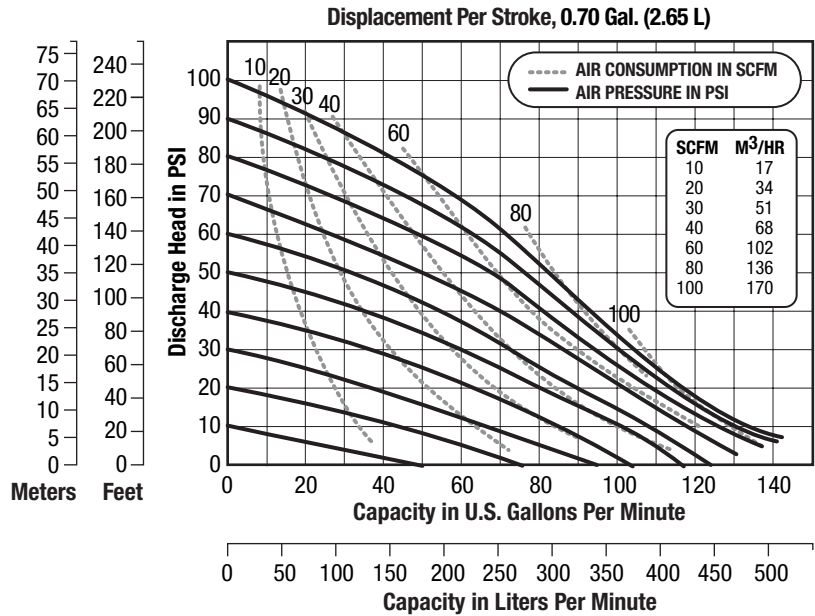
Hastelloy C..... 125 lbs (56.70 kg)



PERFORMANCE

Determined by actual flow meter tests.

E2

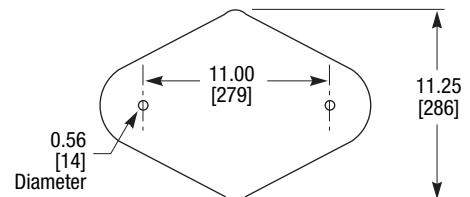
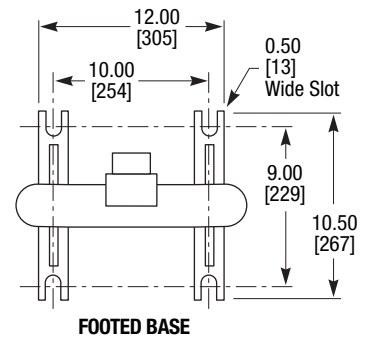
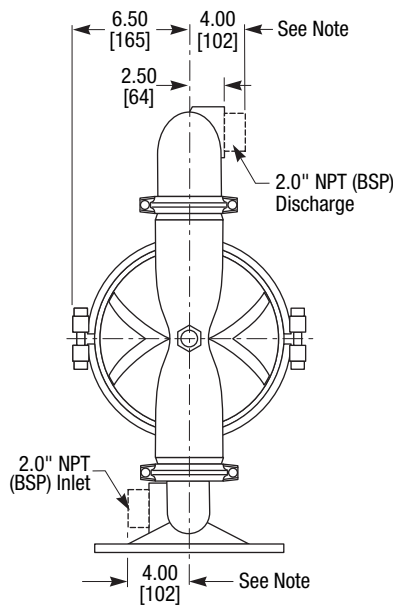
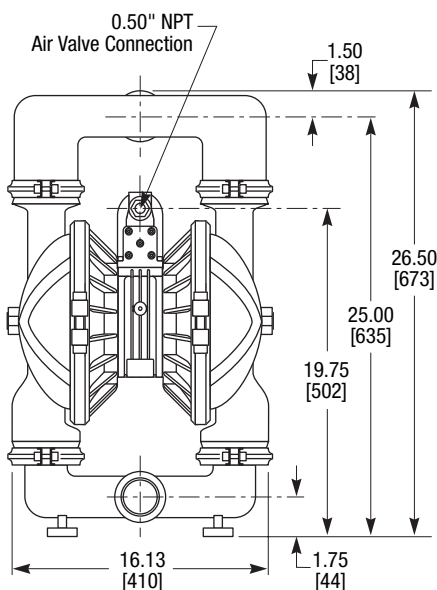


NOTE: For E2 pumps fitted with Teflon® diaphragms, reduce water discharge figures by 20%. Suction lift is reduced to 10' (3.05m) dry and 20' (6.10m) wet.

CAUTION: Do not exceed 125 psig (8.5 bars) air supply or liquid pressure.

DIMENSIONS Consult factory for certified drawings.

E2



NOTE: Cast-In-Place Nipple, Aluminum Pump Only. Female threaded on others.

inches [mm]